

# WTX-1000/WTX-2000

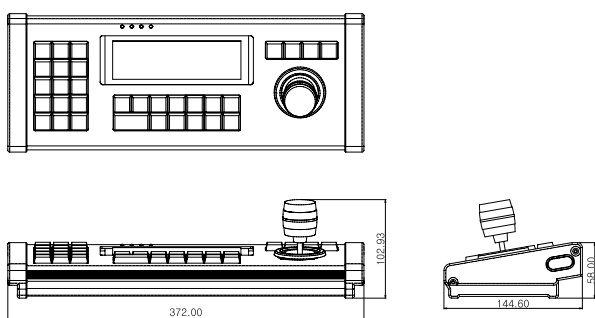
PTZ CONTROLLER



## FEATURES

- LCD display & Joystick control
- Remote controllable PTZ and DVR
- Menu driven user configuration, password protected
- Select to 255 cameras from one keyboard
- Expanded 4-slave keyboards
- Joystick for Fixed-Speed and Variable-Speed control of Pan/Tilt units
- Preset Position Control

## DIMENSIONS



WTX-2000S



WTX-1000

## SPECIFICATIONS

Model	WTX-1000, WTX-2000, WTX-2000S	
Keyboard Communication	Pan/Tilt interface ; RS-485	
	DVR interface ; RS-485	
	Pan/Tilt operating distance ; 4000 ft (1029 m) on 24 AWG wire	
	Protocols : WonWoo, PD, etc. (Baud rate selectable)	
Connector Type Data	RJ-11 6-pin modular	
Keyboard Keypad	PC Keyboard button, Numeric keypad and camera function keys.	
Joystick	WTX-1000	Joystick 2-axis, variable-speed with zoom
	WTX-2000	Three-axis, vector solving, with twisting, return-to-center head
	WTX-2000S	Three-axis, Easy and separate operation for a lefty
Input Voltage	12V DC $\pm$ 2V	
Power Consumption	Max. 450mA , (WTX-2000S : 250mA)	
LCD Display	Graphic display(WTX-2000)240x64dots. Display 4-linex30-character alphanumeric LCD display with blue backlight.	
Operating Temperature	-0°C to 45°C	
Humidity	10%-70% non-condensing	
Dimensions,	WTX-1000	372(W) x 103(H) x 145(D), 1.4 Kg
Weight	WTX-2000	372(W) x 103(H) x 145(D), 1.4 Kg
	WTX-2000S	125(W) x 103(H) x 145(D), 800 g

## CONFIGURATIONS

