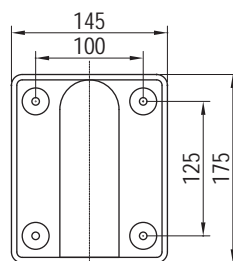
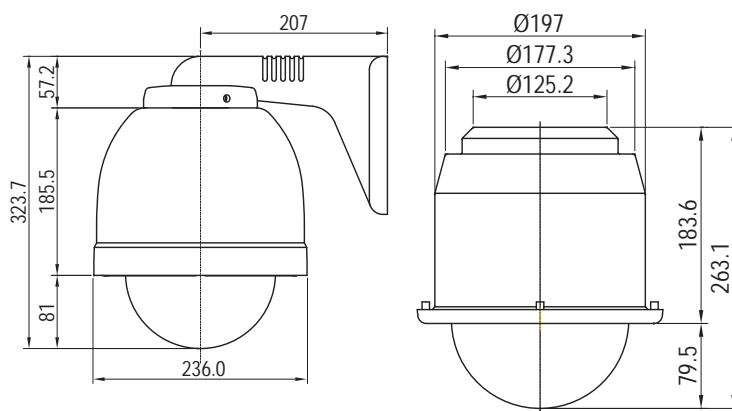


EYE3 Integrated Speed PTZ Dome Camera

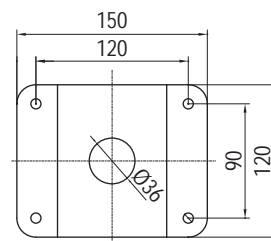
EYE3-PTZ-300XHN



DIMENSIONS (mm)



Wall bracket



Ceiling bracket
(Ceiling pipe : 1.25 Inch)

Models: E3C-PTZ-300XH

Features

- Outdoor application
- 166 Polycarbonate Dome Cover
- Easy interface with multiple protocols
- IP66 environmental structure
- Optical 30x zoom (Maximum 99mm focal length)
- High quality images with 520 TV Lines (Color) / 570 TV Lines (B/W)
- IR cut filter removable Day&Night
- Built-in Image Stabilizer function
- Digital Noise Reduction Technology (S/N ratio -50dB)
- Max. 380/sec Panning speed (preset recall speed)
- Up to 248 programmable preset positions
- Up to 8 programmable Tours
- 4 memorized user control patterns up to 240 seconds (speed and position, lens controls)
- 8 zones of image masking for Privacy
- 8 alarm inputs and 2 outputs can be programmed
- Auto Flip function
- AC 24V, 1A (3A with Fan & Heater)



Wall

In-Ceiling

Ceiling

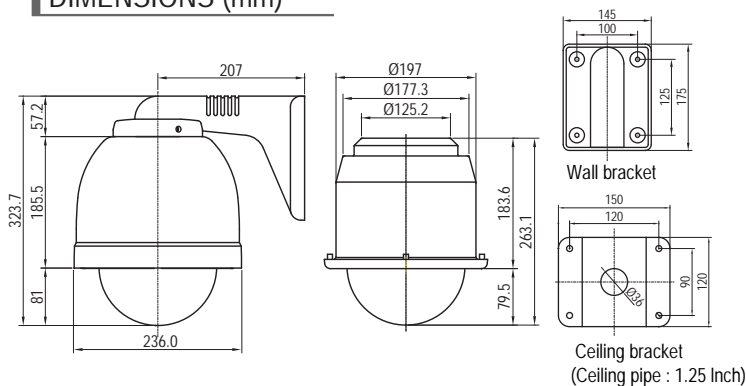
SPECIFICATIONS

| ITEM | NTSC | PAL |
|-------------------------------|---|--|
| Image Pick-up Device | 1/4" Super HAD CCD | |
| Effective Pixels | 768(H) x 494(V) | 752(H) x 582(V) |
| Scanning System | 525 Lines 2 : 1 Interlace 60 Fields / 30 Frames | 625 Lines 2 : 1 Interlace 50 Fields / 25 Frames |
| Synchronization | Internal / Line lock selectable | |
| Scanning Frequency | Horizontal : 15.734KHz Vertical : 59.94Hz | Horizontal : 15.625KHz Vertical : 50Hz |
| Horizontal Resolution | Color : 520 TV Lines (Min.) / B/W : 570 TV Lines (Min.) | |
| Zoom Ratio | 30x, f3.3 ~ 99.0mm (F1.6 ~ 3.2) | |
| Digital Zoom | Built-in (2x ~ 10x, Total 300x zoom) | |
| Min. Illumination | 0.7Lux @ F1.6 (Normal color mode) | |
| | 0.1Lux @ F1.6 (B/W mode) | |
| | 0.005Lux @ F1.6 (Sense-up mode) | |
| Digital Image Stabilizer(DIS) | On / Off selectable | |
| S/N Ratio | 50dB (AGC off, Weight on) | |
| Back Light Compensation | Low / Middle / High / Off selectable | |
| Day&Night | Color / B/W / Auto selectable (ICR filter change) | |
| Gain Control | Low / Middle / High / Off selectable | |
| White Balance | ATW / AWC / Manual selectable (1800K ~ 10,500K) | |
| Electronic Shutter Speed | Auto / Manual selectable (1/60 ~ 1/120,000) | Auto / Manual selectable (1/50 ~ 1/120,000) |
| Sens-up | On / Off (Selectable limit ~ 128x) | |
| Noise Reduction | Low / Middle / High / Off selectable | |
| Focus Control | Auto / Manual / One push selectable | |
| Iris Control | Auto / Manual selectable | |

Model Selection

WSJ-221HN/HP : 22x optical zoom(f3.9-85.8mm), 480TV Lines, Day&Night
 WSJ-300FN/FP : In-ceiling mount model
 CMA-100 : Conner mount bracket / PMA-100 : Pole mount bracket

DIMENSIONS (mm)



SPECIFICATIONS

Mechanical

| | |
|--------------|--|
| Pan | 360 Endless Pan 0.1 to 90/sec. (64 steps proportional to zoom) |
| Preset Speed | 380/sec, 0.1 Accuracy |
| Tilt | 0.1/sec. to 90/sec. (proportional to zoom) |
| Preset Speed | 150/sec, 0.05 Accuracy |
| Weight | Unit : 4.4kg |
| Dimensions | 160 x 319 mm |

Environmental

| | |
|--------------------|------------------------|
| Ingress Protection | IP66 (Outdoor housing) |
| Construction | Aluminum |
| Color | Cool Gray |
| Operating Temp | |
| Indoor | 0C to 50C |
| Outdoor | -40C to 50C |
| Storage Temp | -20C to 60C |
| Humidity | 0% to 90% |
| Fan operate | 40C ON, 30C OFF |
| Heater operate | 5C ON, 15C OFF |

Functions

| | |
|--------------|--|
| Preset | 248 points less than 0.1 accuracy |
| Tour | 8 programmable |
| Pattern | 4 patterns for 240 second. |
| Flip | Auto / Off (rotate 180 at bottom of tilt) |
| Auto Scan | 8 (programmable speed and diagonal scan) |
| Privacy Zone | 8 blocks with title (Masking / Video off) |
| Address | Up to 999 selectable ID (Rotary switch) |
| Control | RS-485 / RS-422 Multiple protocol (Auto detection or DIP Swich setting) 2400, 4800, 9600, 19200 bps selectable |
| Alarm In | 8 alarm (NO/NC) |
| Alarm Out | 2 relay out |
| Display | 16 Area title North direction on/off (N,S,W,E) Zone title on/off (start / end zone) Camera title on/off (8 character) |

Electrical

| | |
|-------------|--|
| Power | 24VAC, 60Hz / 50Hz (Power adaptor not included) |
| Consumption | 18.0W (1.2A Max.) |
| Heater | 30W |
| Fan | 3.4W |

User Connections

| | |
|----------------|--------------------------------|
| Power (Camera) | 21 - 28VAC, 50/60Hz - 18W Max. |
| Power (Heater) | 21 - 28VAC, 50/60Hz - 30W Max. |
| RS-422, 485 | + / - Optional Control Data |
| Video | BNC |
| Alarm Inputs | 8 Programmable for N/O or N/C |
| Relay Out | 2 relay out |

Certification

CE EMC , FCC CLASS A, RoHS

* Design and specifications are subject to change without notice.