

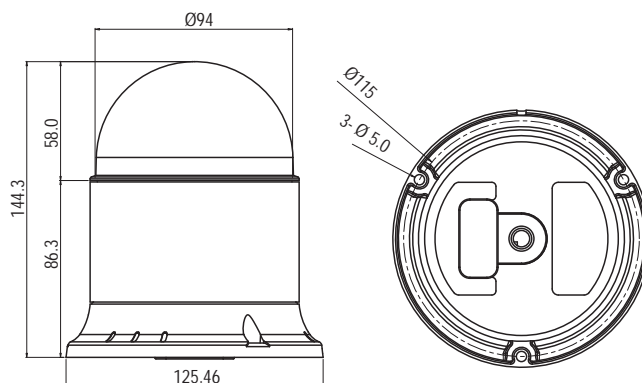
EYE3 Mini PTZ Dome Camera

EYE3-PTZ-231/103Mini



DIMENSIONS (mm)

E3C-PTZ-231



E3C-PTZ-231

Mini Speed Dome Camera

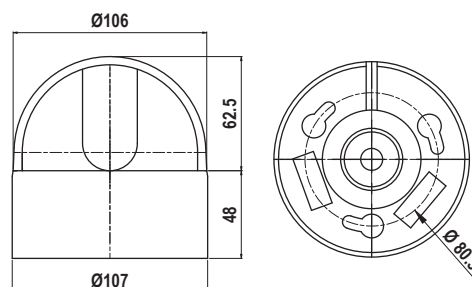
- Vandal resistant mini Speed Dome Camera
- 94, 3.5(t) mm Polycarbonate Dome Cover
- 1/3" Sony 550 TV Lines, 8x D-zoom, 3.6mm lens
- Day&Night Capability with High Sensitivity of 0.002Lux
- DNR Technology enabled Hard Disk Saver
- 360 Endless panning, 90 tilt angle
- Max. 180/sec panning
- Preset, Pattern, Tour, Scan, Autoscan
- 2 alarm input
- Multiple protocol, Auto baud rate detection

E3C-PTZ-IRC200 (Optional)



DIMENSIONS (mm)

E3C-PTZ-102Mini



E3C-PTZ-102Mini

Economical PTZ Dome Camera

- Indoor application
- ABS body and Polycarbonate Dome Cover
- 1/3" Sony 480TV lines
- 0.3Lux low light and 3x digital zoom support
- Varifocal lens available (4-9mm)
- Auto Pan support (0-320 degrees)
- 16 steps of Adjustable Auto Pan limitation
- RS-485 control / Multi protocol support

Mini Dome Camera



SPECIFICATIONS

ITEM	NTSC	PAL
Image Sensor	1/3 inch Sony Super HAD CCD	
Effective Pixels (HxV)	768 x 494 (380K pixels)	752 x 582 (440K pixels)
Scanning System	525 Lines 2:1 Interlace	625 Lines 2:1 Interlace
Scanning Frequency (H,V)	15.734KHz, 59.94Hz	15.625KHz, 50Hz
Shutter Speed	1/60 ~ 1/100,000 sec	1/50 ~ 1/100,000 sec
White Balance	ATW / AWC / Manual(1,800K ~ 10,500K)	
Video Output	1.0 Vp-p (75, Composite)	
Horizontal Resolution	550 TV Lines	
S/N Ratio	More than 50dB (AGC off)	
Min. Illumination	0.3Lux/F1.2 (Color), 0.1Lux/F1.2 (B/W), 0.002Lux (Sense-up)	
Lens	Fixed Lens (f=3.6mm), Digital Zoom Rate 8x	
Angle	Pan : Endless /Tilt : 0- 90	
Speed	PAN	Manual 110/sec, Preset 180/sec
	TILT	Manual 35/sec, Preset 50/sec
Function	Preset 63 Presets, 8 Tour, 4 scan, 4 area, 2 pattern, 2 Alarm, Autoscan	
Camera Address (ID select)	1 ~ 255, DIP switch select	
Control	Protocol	Pelco'D/ Pelco'P'
	Baud rate	2400bps ~ 115200bps, Auto detection
	Position vector control	Advanced Feature Set
Power	Operating Voltage 10 ~ 18VDC , Max. 1.2A	
Operating Temperature	-10C ~ 55C	
Humidity	30 to 90%RH	
Dimensions / Weight	125(Ø) x 144(H) mm / 750g	
Certification	CE, FCC, RoHS	
Construction	Silver color, Aluminum housing, Polycarbonate dome cover	

SPECIFICATIONS

	NTSC	PAL
Image Sensor	1/3 inch Sony Super HAD CCD	
Effective Pixels (HxV)	768 x 494 (380K pixels)	752 x 582 (440K pixels)
Scanning System	525 Lines 2:1 Interlace	625 Lines 2:1 Interlace
Lens Horizontal Resolution	480 TV Lines	
Min. Illumination	0.3Lux (F1.2, AGC ON, 30IRE)	
Speed	f=3.8mm Fixed Lens (88degree) F 2.0, 4-9mm Varifocal Lens	
Function S/N Ratio	More than 48dB (AGC Off)	
	Angle : 0 to 320, Manual Speed : Max. 35/sec	
	Angle : 0 to 90, Manual Speed : Max. 30/sec	
ID (Camera Address)	0-255 address	
Auto Pan	1 Auto Pan (16 steps)	
Control	RS-485, baud rate : 2400 / 4800bps	
Power	DC 12V 50/60Hz, 500mA	
Operating Temperature	Indoor : 0C to 50C	
Humidity	10 to 85%RH	
Dimensions / Weight	107(W) x 110.5(H)mm / 500g	
Certification	CE, FCC, RoHS	
Construction	High impact resistance plastic + ABS housing, polycarbonate dome cover	

* Design and specifications are subject to change without notice.